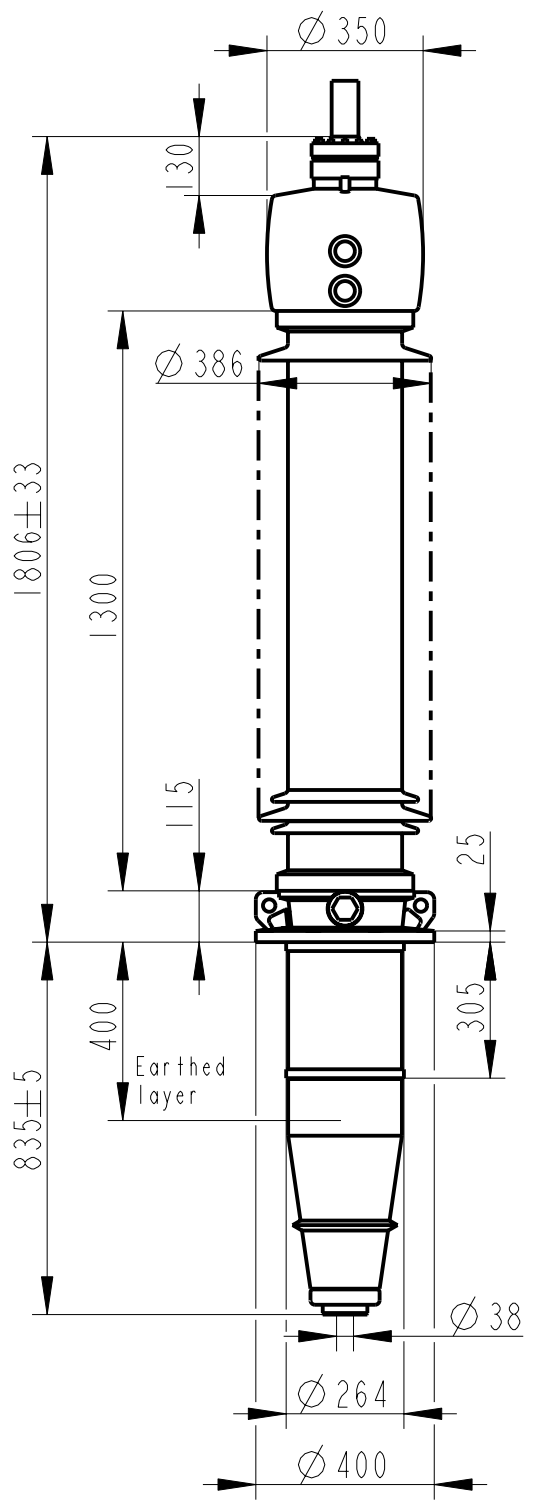


Rev	Ind	Revision	Appd	Date



Bushing Data:

Rated Voltage	245	kV
Phase to-earth Voltage	155	kV
Dry Lightning Impulse 1,2/50µs	650	kV
Wet Switching Impulse	500	kV
Wet Power frequency AC	315	kV
Routine test Imin dry 50Hz	325	kV
Rated Current	5000	A
Creepage Distance	4045	mm
Mass	380	kg

Ordering Data:

BUSHING COLOUR AIR INSULATOR
 LF121054 -D / -AD BROWN / LIGHT GREY

OUTER TERMINAL

	H2	D2
	(mm)	(mm)
LF170 073-A Al	125	60
LF170 073-B Cu	125	60
LF170 073-G Cu/Ag	125	60

OTHER TYPES ON REQUEST

END-SHIELD
 LF170 046-U EPOXY INSULATED
 LF170 046-UP INSULATED WITH 3 mm PRESSBOARD

DRAW ROD SYSTEM

LF170 059	LOWER DRAW ROD WITH NI=4 OR NI=6
LF170 057	UPPER DRAW ROD

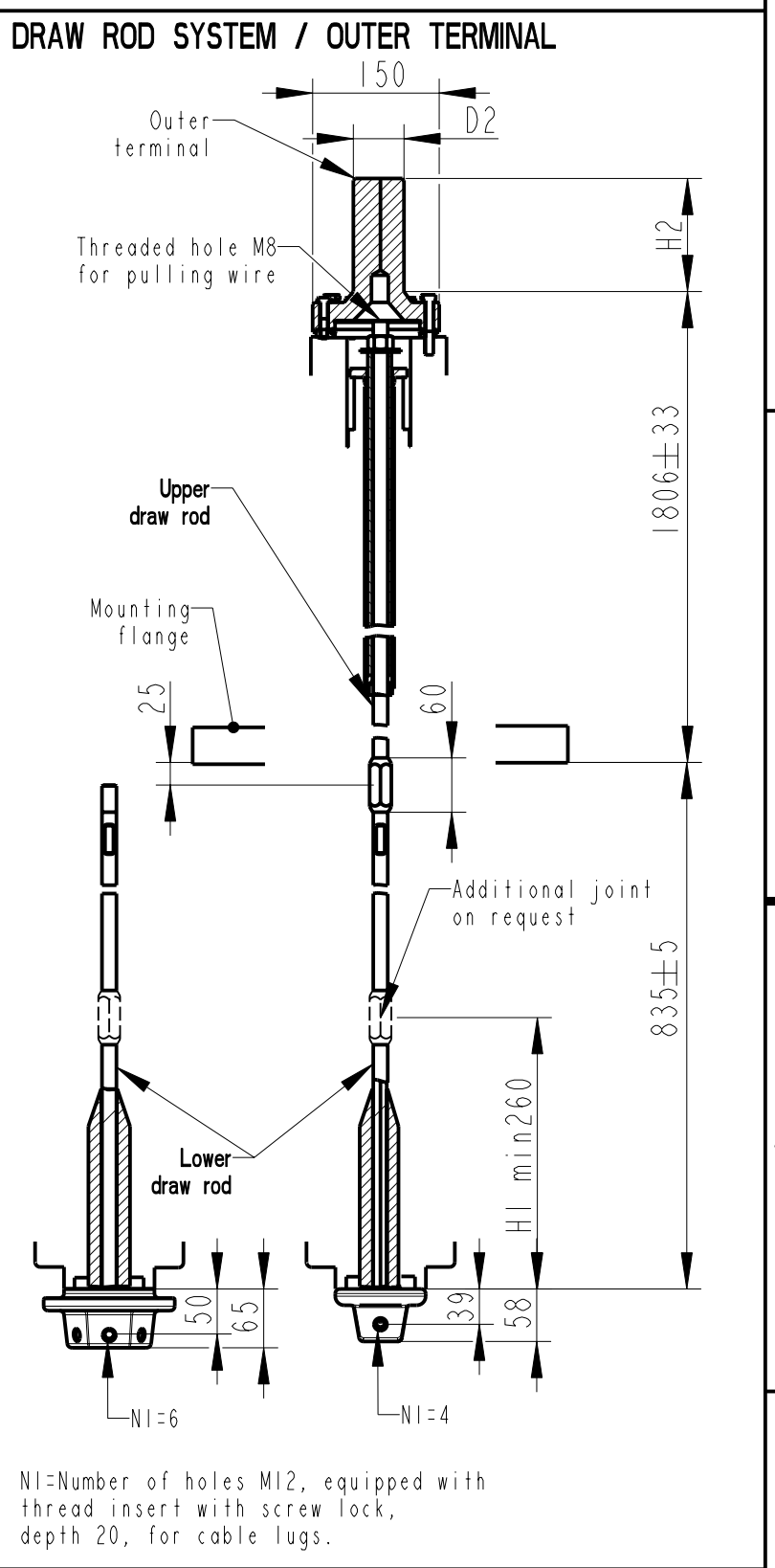
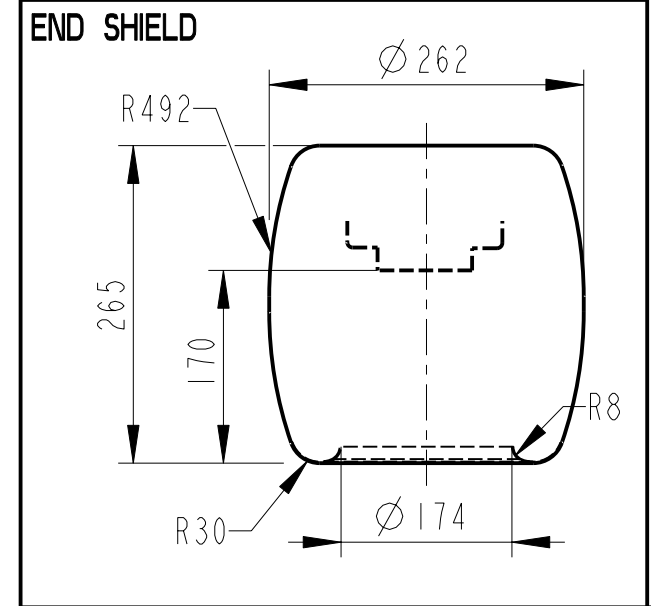
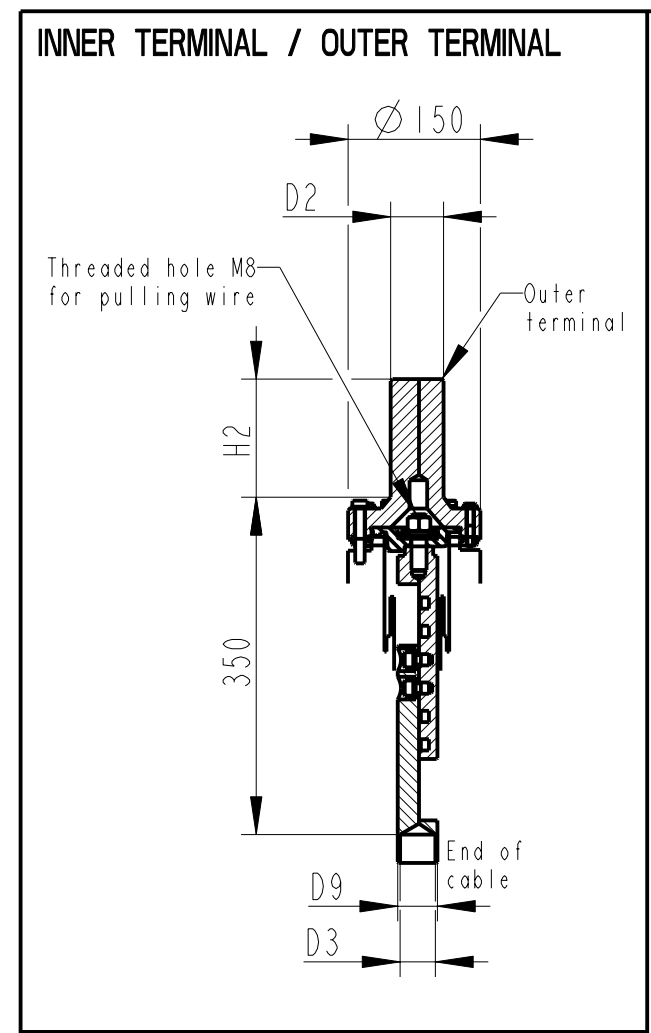
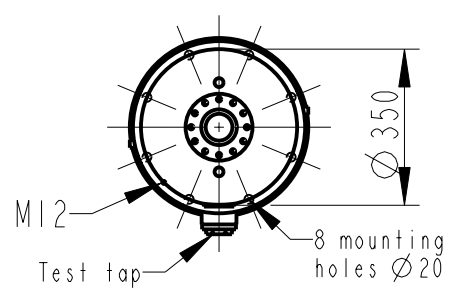
INNER TERMINAL

	D3	D9	Cond. area	Current (A)	
	(mm)	(mm)	(mm ²)	IEC	IEEE
LF170 056-A	0 *	35	-	-	-
LF170 056-B	15	35	95	390	370
LF170 056-C	30	35	285	1000	830

*) WITH PILOT HOLE D=5

ABB Components Luleå, Sweden

Ur-ty	Nb.	A	50-60 Hz
U	kV SI	kV AC	kV
M	kg L	mm D	
C1	pF Tanδ		
C2	pF Tanδ		



Based on	Reg. No.	Title	
Prepared Lövnord	Responsible department COM/BK 0022	GOE-650-500-5000-0.3	
Approved Johansson	Take over department		Language 82
Design engineering review Gutman	Database		Page 1(1)
ABB ABB Components		Document No.	2751369-15

We reserve all rights in this document and in the information contained therein. Reproduction, use or disclosure to third parties without express authority is strictly forbidden. ©ABB